

# Monitor mount for 2016 E-series and E2417H Dell monitors

Installation guide



## Notes, cautions, and warnings

 **NOTE:** A NOTE indicates important information that helps you make better use of your product.

 **CAUTION:** A CAUTION indicates either potential damage to hardware or loss of data and tells you how to avoid the problem.

 **WARNING:** A WARNING indicates a potential for property damage, personal injury, or death.

**Copyright © 2017 Dell Inc. or its subsidiaries. All rights reserved.** Dell, EMC, Dell EMC and other trademarks are trademarks of Dell Inc. or its subsidiaries. Other trademarks may be trademarks of their respective owners.

# Contents

<b>1 Dell Wyse clients and Dell monitors using this mounting bracket.....</b>	<b>4</b>
<b>2 Included in the kit.....</b>	<b>5</b>
<b>3 Mounting the client.....</b>	<b>6</b>



# Dell Wyse clients and Dell monitors using this mounting bracket

The monitor mount for 2016 E-series and E2417H monitors is designed to work with the following clients and monitors:

Supported clients:

- Dell Wyse 3010 (Tx0) thin client
- Dell Wyse 3020 (Tx0D) thin client
- Dell Wyse 3030 (N03D) thin client
- Dell Wyse 3030LT (N06D) thin client
- Dell Wyse 5010 (Dx0D) thin client
- Dell Wyse 5020 (DxoQ) thin client
- Dell Wyse 5030 (PxN) PColP zero client
- Dell Wyse 5060 (N07D) thin client

Supported monitors:

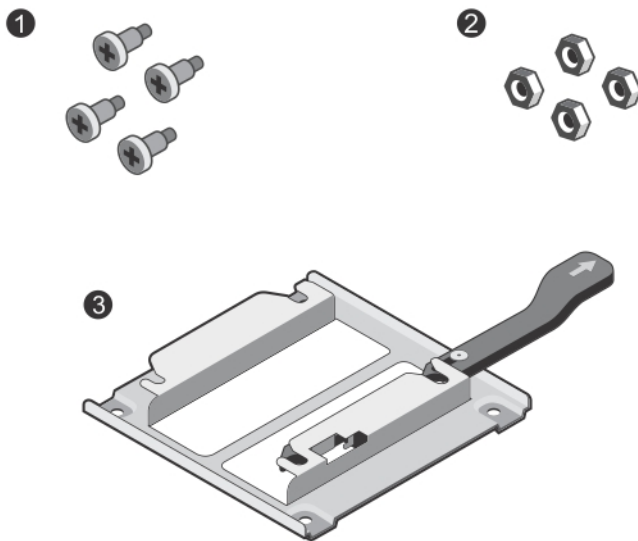
- E1916H
- E1916HV
- E2016
- E2016H
- E2016HV
- E2216H
- E2216HV
- E2316H
- E2416H
- E2417H

**NOTE:** This mount is only designed to work with the Dell monitors and clients listed here. This should not be used with other monitors or client products.

## Included in the kit

Parts provided in the kit include:

- 1 Four shoulder screws (M4x0.7-6)
- 2 Four hex nuts (M4x0.7)
- 3 One monitor mount for E-series/E2417H monitors



**NOTE:**

Dell Wyse 3010 requires Horizontal Stand 452-BCMF with the E-series mounting bracket for monitor mounting.

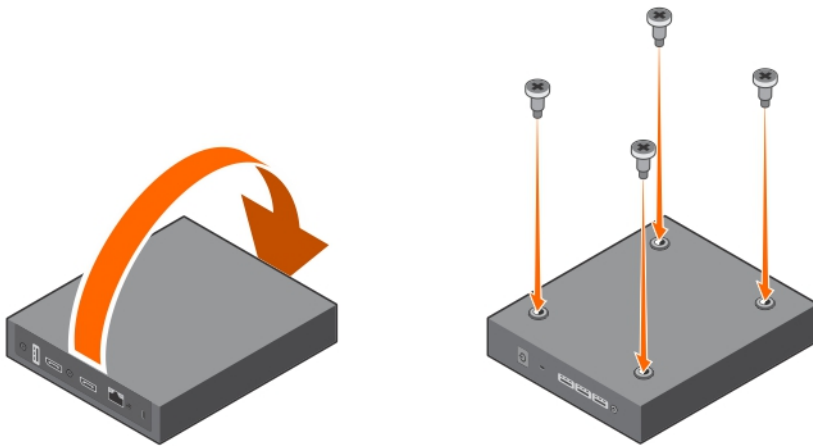
Dell Wyse 3020 and 5030 require Horizontal Stand 452-BCMh with E-series mounting bracket for monitor mounting.

Dell Wyse 3030 and 3030LT require Horizontal Stand 452-BCMG with E-series mounting bracket for monitor mounting.

## Mounting the client

Use the following instructions for mounting the client to the E bracket:

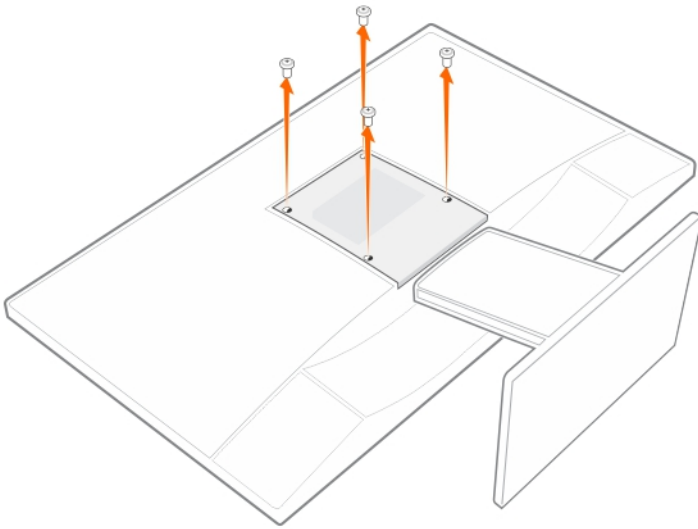
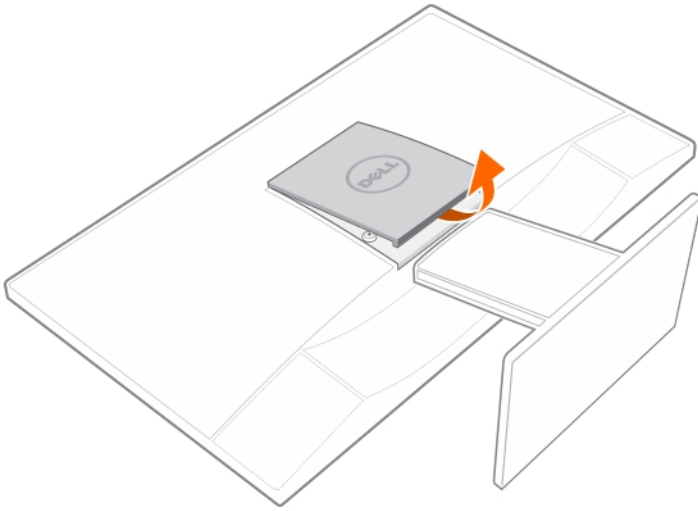
- 1 **Preparing the Client** —Use a Phillips-head screwdriver to remove the four (4) filler screws from the side of the client and replace them with the provided four (4) shoulder screws. Discard the filler screws.



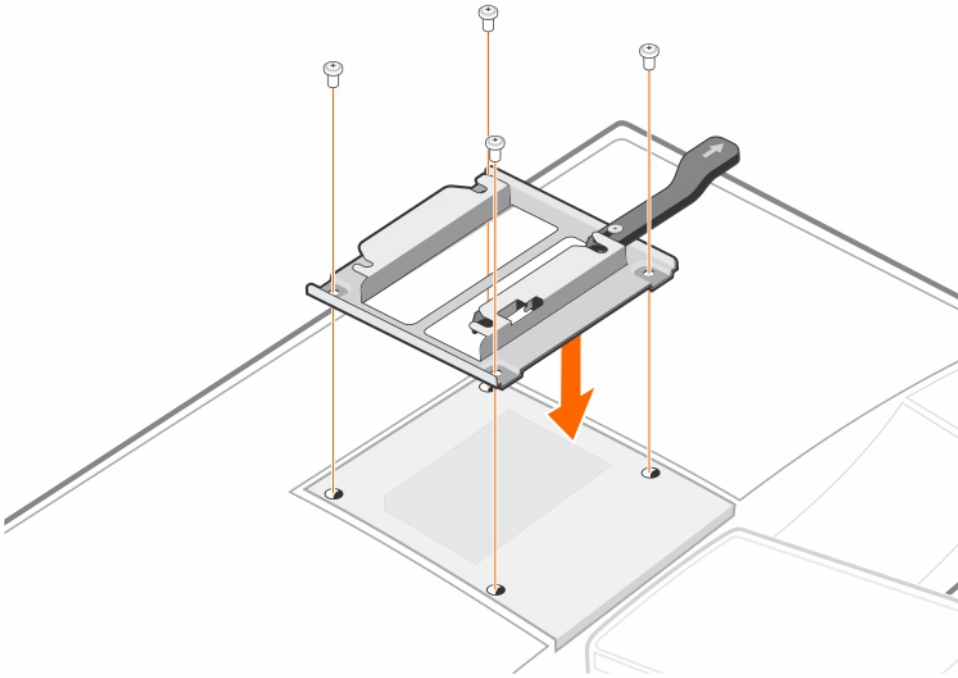
- 2 **Attaching E series mount to the monitor**

- Place the monitor panel face down on a soft cloth or cushion.
- Remove cover plate if present.
- Remove the four (4) monitor screws from the back of the monitor and set them aside.

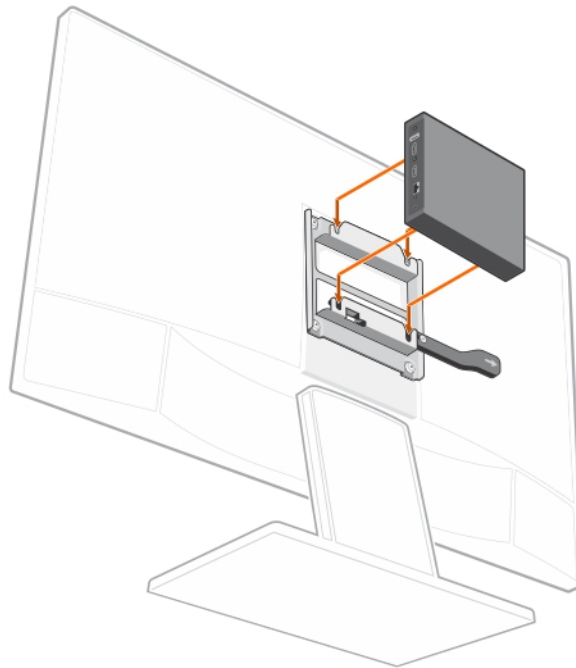
**NOTE:** For ease of installation, position the monitor with the base of the stand hanging over the edge of the table.



Position the E mount on the back of the monitor and attach it by re-install the monitor screws at 4 locations (do not over-tighten).



- 3 **Attaching the Client** —Slightly tip the client to align and insert the four protruding shoulder screws into the four cutout areas of the E series mount. Slide the client until it clicks and secured by latch. The security latch will move automatically when the shoulder



screws are inserted.

**CAUTION:** The power button should face towards the security latch and air vents should face outwards for proper heat dissipation.

- 4 **Connecting cables** —Make all desired connections, and then connect the power adapter's AC power cord to an electrical outlet.

**NOTE:**

To remove the client, gently pull the security latch to the right to release shoulder screws and slide the client from mount.